

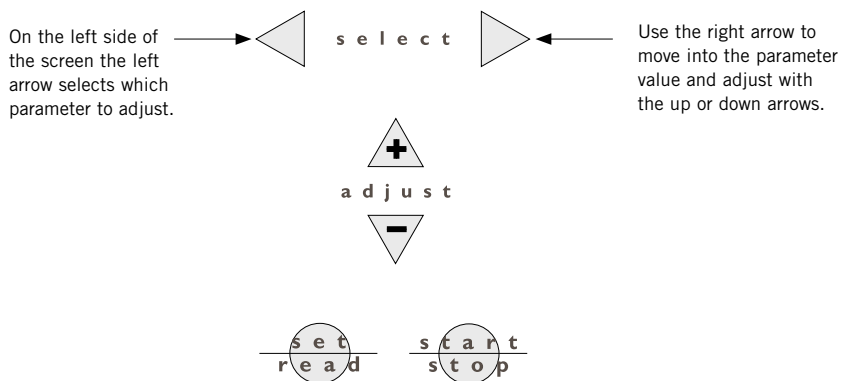
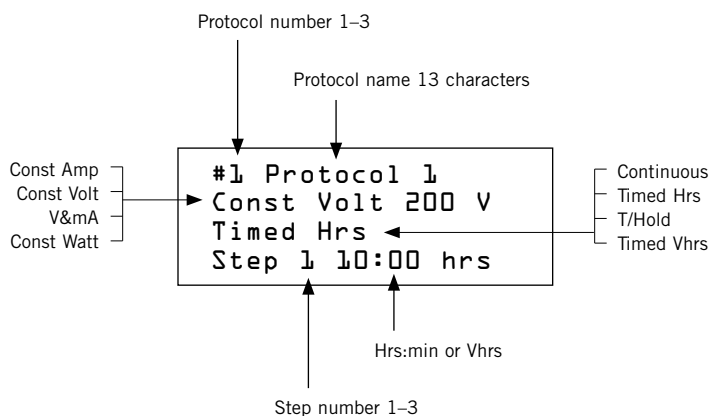
Hoefer PS 2A200 Power Supply

Setting power and time parameters

1

The power supply must be in SET mode. The power supply is automatically in SET mode when it is first turned on. During a run, press the *set/read* key to enter the SET mode.

Choose the power or time parameter. See reverse side for power and time options and conditions.

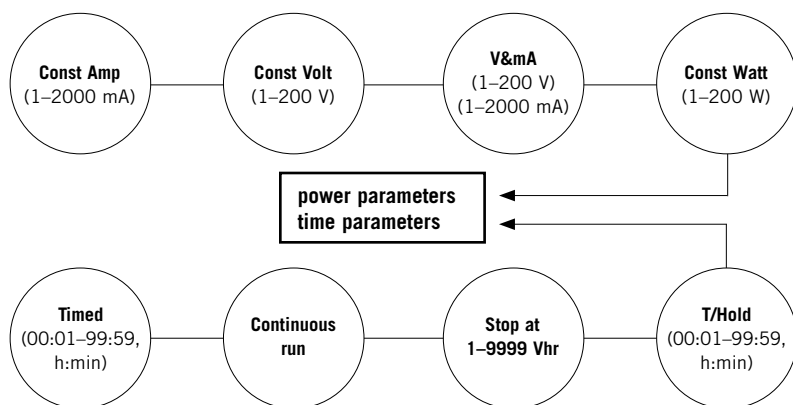


Power output limitations:

- The maximum power supply output is 200 W, so the maximum current of 2000 mA is available at ≤ 100 V.
- At the maximum voltage setting of 200 V, the current is limited to ≤ 1000 mA.

Power options and conditions

The following schema illustrates the range of values and the number of fields for each power and time parameter. The options are listed in the order encountered.



See reverse side for setting power and time parameters

Time options

- The continuous run option delivers power until the operator manually turns the power supply off.
- The timed option delivers power for the set time.
- The timed and hold (T/Hold) option delivers power for the set time and then holds the voltage at 5 V to minimize band diffusion in gradient gels until the operator manually turns the power supply off.
- The stop at option delivers a preset amount of power measured in volt-hours (Vhr) and then stops all power output.



Printed in the USA

Hoefer, Inc.
953 Indiana Street
San Francisco, CA
94107 USA

www.hoeferinc.com

